

PRODUCT LINE

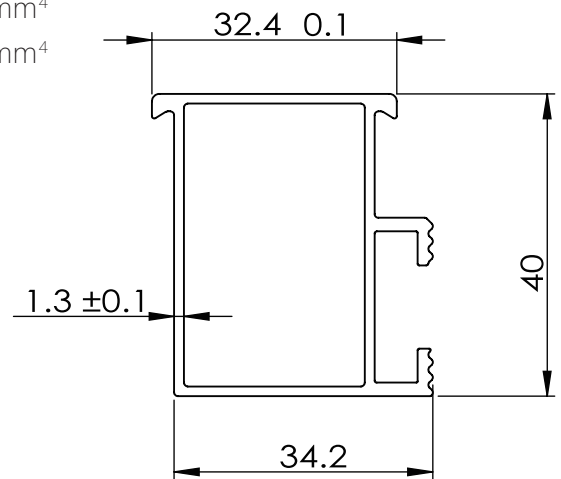
Item	Product Name
CK-43R-2100	CHIKO 43 RAIL 2100MM
CK-43R-3200	CHIKO 43 RAIL 3200MM
CK-43R-4200	CHIKO 43 RAIL 4200MM

TECHNICAL DATA

Main Material	AL 6005-T5
Wind Velocity	Up to 60 M/S

$$I_x = 34466.83 \text{ mm}^4$$

$$I_y = 49849.13 \text{ mm}^4$$



43 RAIL

CHIKO 43R aluminium rail is designed for roof mounting system, it could applied on all roof mount system.

ADVANTAGES

- Easy installation
- Highclass anodized
- Universal on roof mount system

COMPONENT LIST

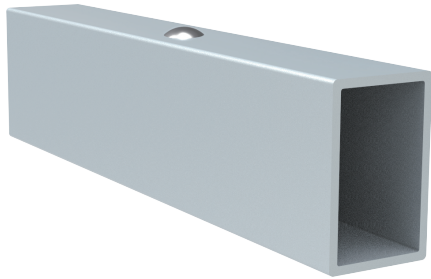
MATERIAL	QTY
Aluminium Rail	01

WARRANTY



ORDERING SPECIFICS

Standard Packaging	8 PCS/PKG
Dimensions	2100/3200/4200mm
Weight	10.5/15.8/20.5KG



PRODUCT LINE

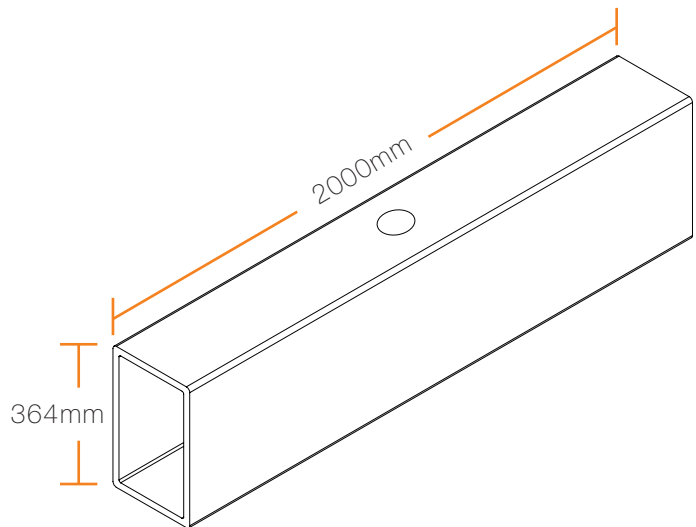
Item	Product Name
CK-FT-SKA	CHIKO 43 Rail Splice Kit

TECHNICAL DATA

Main Material	AL 6005-T5
Wind Load	Up to 60 M/S
Snow Load	1.4 KM/M ²

43 RAIL SPLICE KIT

CHIKO 43R aluminium rail splice kit is designed for 43R rail connection from back to position. The most simple and handy installation way.



ADVANTAGES

- Easy installation
- Highclass anodized

COMPONENT LIST

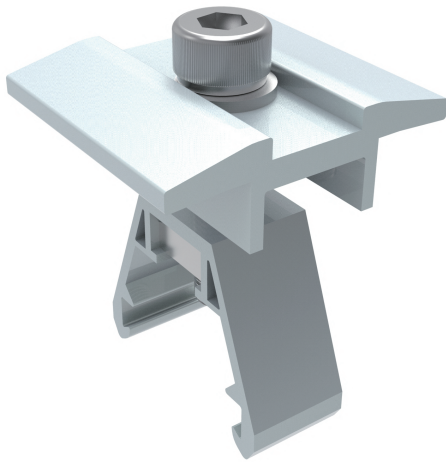
MATERIAL	QTY
Aluminium Rail Splice Kit	01
SUS304 ϕ 4.2*16	04

WARRANTY



ORDERING SPECIFICS

Standard Packaging	150 PCS/PKG
Dimensions	51X38X22CM
Weight	30KG



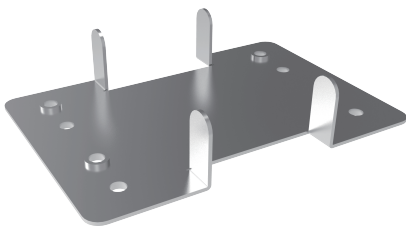
Fix Mid Clamp

CHIKO mid clamps is designed base on 33 Rail to fix module between two module, 32mm to 50mm thickness module are available.

This mid clamp is only available for portrait module.

ADVANTAGES

- Easy installation
- High class anodized
- Tilt- in nut



Grounding clip is optional, if there is grounding requirement.

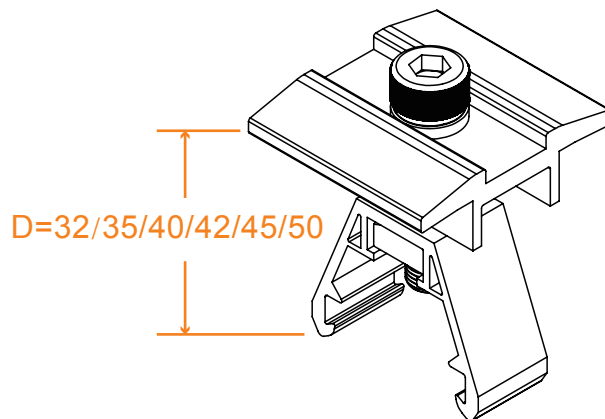
This grounding clip is only available for portrait module.

PRODUCT LINE

Item	Product Name
CK-FTM-T32	CHIKO Fix Mid Clamp 32mm For 33 Rail
CK-FTM-T35	CHIKO Fix Mid Clamp 35mm For 33 Rail
CK-FTM-T40	CHIKO Fix Mid Clamp 40mm For 33 Rail
CK-FTM-T42	CHIKO Fix Mid Clamp 42mm For 33 Rail
CK-FTM-T45	CHIKO Fix Mid Clamp 45mm For 33 Rail
CK-FTM-T50	CHIKO Fix Mid Clamp 50mm For 33 Rail

TECHNICAL DATA

Main Material	AL 6005-T5
Tighten torque	15N.m
Safe torque	20N.m



COMPONENT LIST

MATERIAL	QTY
Mid Clamp	01
058 Alu Nut	01
SUS304 Bolt M8*35	01
SUS304 Washer M8	01
Square Nut	01

WARRANTY



ORDERING SPECIFICS

Standard Packaging	80 PCS/BOX 320PCS/CTN
Dimensions	51X38X22CM
Weight	27.3/28/28.5/29.1KG



Fix End Clamp

CHIKO end clamps is designed base on 33 rail to fix module on the end of rail, 32mm to 50mm thickness module are available.

ADVANTAGES

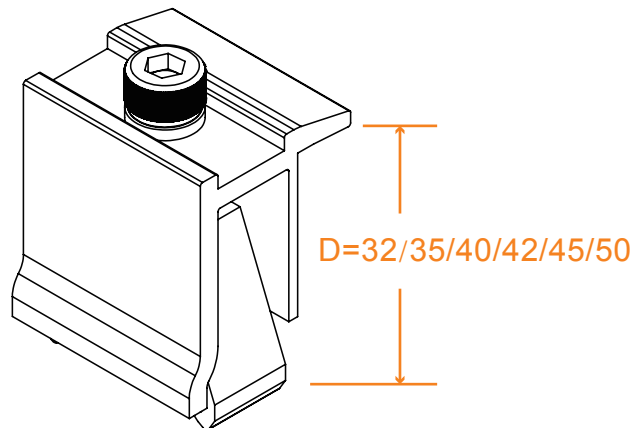
- Easy installation
- High class anodized
- Tilt- in nut

PRODUCT LINE

Item	Product Name
CK-FTE-T32	CHIKO Fix End Clamp 32mm For 33 Rail
CK-FTE-T35	CHIKO Fix End Clamp 35mm For 33 Rail
CK-FTE-T40	CHIKO Fix End Clamp 40mm For 33 Rail
CK-FTE-T42	CHIKO Fix End Clamp 42mm For 33 Rail
CK-FTE-T45	CHIKO Fix End Clamp 45mm For 33 Rail
CK-FTE-T50	CHIKO Fix End Clamp 50mm For 33 Rail

TECHNICAL DATA

Main Material	AL 6005-T5
Tighten torque	15N.m
Safe torque	20N.m



COMPONENT LIST

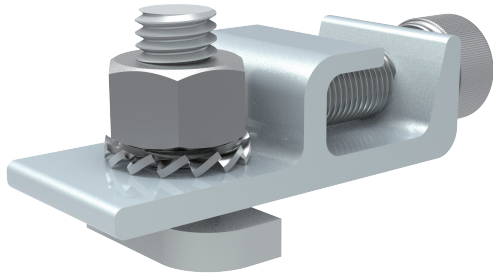
MATERIAL	QTY
End Clamp	01
058 Alu Nut	01
SUS304 Bolt M8*35	01
SUS304 Washer M8	01
Square Nut	01

WARRANTY



ORDERING SPECIFICS

Standard Packaging	80 PCS/BOX 320PCS/CTN
Dimensions	51X38X22CM
Weight	26/27/27.3/28KG



Grounding Lug

CHIKO grounding lug is designed for fixing grounding cable going through smoothly between each rails

ADVANTAGES

- Easy installation
- High class anodized
- Tilt- in nut

WARRANTY

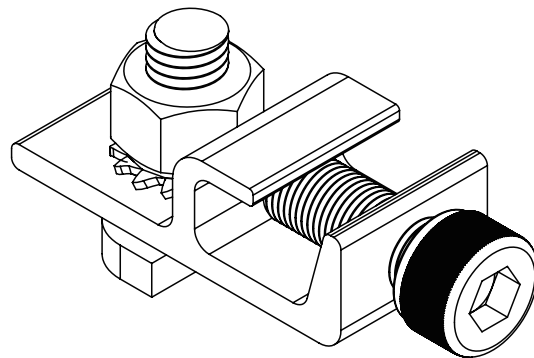


TECHNICAL DATA

Main Material	AL 6005-T5
Tighten torque	15N.m
Safe torque	20N.m

COMPONENT LIST

MATERIAL	QTY
Grounding Lug	01
SUS304 inner hex bots M8X20	01
SUS304 T4 bolts M8x25	01
SUS304 hex nut M8	01
SUS304 spring washer M8	01
SUS304 star washer	01



ORDERING SPECIFICS

Standard Packaging	140 PCS/BOX 560PCS/CTN
Dimensions	51X38X22CM
Weight	5.8/23.2KGS



PRODUCT LINE

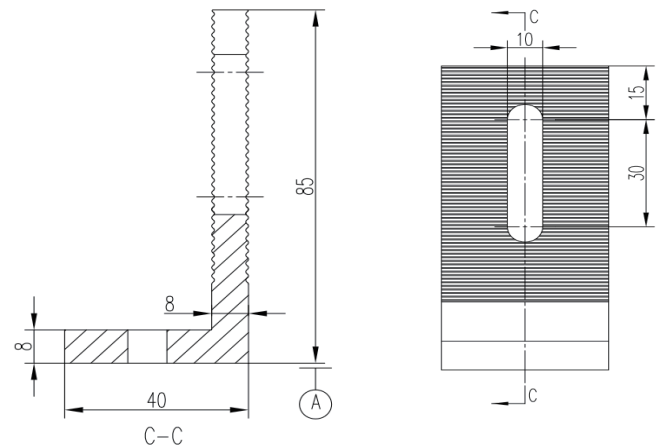
Item	Product Name
CK-FTH-013	CHIKO Standing L Feet Mount

TECHNICAL DATA

Main Material	AL 6005-T5
Uplift P	N*Fv (N=1)
Wind Velocity	Up to 60 M/S

L-Foot Kit

CHIKO L feet have been widely used on universal corrugated metal sheet roof. It can fix to the roof rafter directly. Also, it can be applied with hanger bolts and other roof clamps CHIKO designed.



ADVANTAGES

- Enables simple, fast and cost-effective installation.
- Al6005-T5, High class anodized aluminium.
- Waterproof Silicone rubber intergrated
- Fasteners and rall nut confignated to save extra parts purchasing.

COMPONENT LIST

MATERIAL	QTY
Aluminium L Feet	01
057 Al Nut	01
SUS304 Bolt M8*25	01
SUS304 Washer M8	02
Wood Screw 6.3*90	01
Silicon Pad	01

WARRANTY



ORDERING SPECIFICS

Standard Packaging	50PCS/BOX	200PCS/CTN
Dimensions	51X38X22CM	
Weight	28KG	